

GW304-CHFS67 Watertight IP67 Hexagonal Threaded Insert

Stainless steel 304 · Large flange with underhead seal · Hexagonal · Closed end · IP67

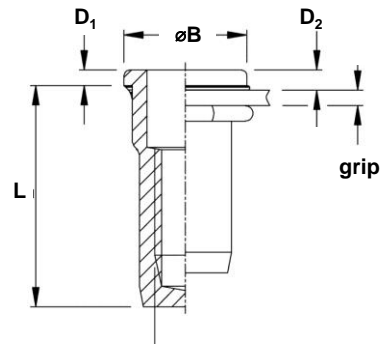
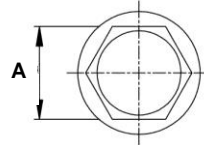
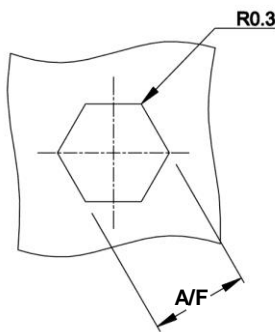
M4 - M8

Features

- Non-reactive peripheral seal, made of flexible organic based material, is applied to the under head bearing surface of the threaded insert / rivet nut
- Seal is resistant to many automotive oils, antifreeze and transmission fluids, and assures IP 67 waterproofing
- During installation, the material is gap filling, and forms a robust seal between mating surfaces
- Hexagonal section and bore improves torque-to-turn

Material

- Stainless steel 304



| Part No. | Thread Size | Grip Range | | Hole Size | øA | øB | D ₁ | D ₂ | L |
|---------------------|-------------|------------|------|-----------|------|------|----------------|----------------|------|
| | | min. | max. | | | | | | |
| GW304-CHFS67M4-0515 | M4 | 0.5 | 1.5 | 6.0 | 6.0 | 9.0 | 1.0 | 1.3 | 15.0 |
| GW304-CHFS67M5-0520 | M5 | 0.5 | 2.0 | 7.0 | 7.0 | 10.0 | 1.0 | 1.3 | 17.5 |
| GW304-CHFS67M6-0520 | M6 | 0.5 | 2.0 | 9.0 | 9.0 | 12.0 | 1.5 | 1.9 | 21.5 |
| GW304-CHFS67M6-2040 | | 2.0 | 4.0 | | | | | | 23.5 |
| GW304-CHFS67M8-0520 | M8 | 0.5 | 2.0 | 11.0 | 11.0 | 15.0 | 1.5 | 2.0 | 23.5 |
| GW304-CHFS67M8-2045 | | 2.0 | 4.5 | | | | | | 26.0 |

| Thread Size | Max. torque | Pull-out | Torque-to-turn | Shear strength |
|-------------|-------------|----------|----------------|----------------|
| | Nm max. | Kn | Nm | kN |
| M4 | > ~7.1 | > ~10.8 | ~6.0 | ~3.7 |
| M5 | ~15.0 | > ~15.5 | > ~9.0 | ~4.8 |
| M6 | > ~23.0 | ~24.5 | > ~22.0 | ~7.2 |
| M8 | > ~64.0 | ~39.0 | ~32.0 | ~9.4 |



Can't find what you are looking for?

We can provide unique and customized solutions. Contact your nearest [Gripwell](http://www.gripwell.com.sg) team for assistance!